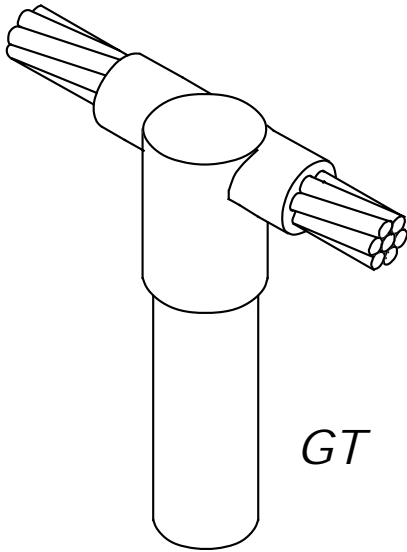


GT

CABLE TO GROUND ROD



GT

GT

GROUND ROD SIZE Dia. (mm)	CABLE SIZE (sq mm)	MOULD PART NO.	WELD METAL
12.7	25	GT CP 128Y1	90
	35	GT CP 128Y2	90
	50	GT CP 128Y3	90
	70	GT CP 128Y4	90
	95	GT CP 128Y5	115
	120	GT CP 128Y6	150
	150	GT CP 128Y7	150
	185	GT CP 128Y8	200
14.2	25	GT CP 143Y1	90
	35	GT CP 143Y2	90
	50	GT CP 143Y3	90
	70	GT CP 143Y4	115
	95	GT CP 143Y5	115
	120	GT CP 143Y6	150
	150	GT CP 143Y7	200
	185	GT CP 143Y8	200
	240	GT CP 143Y9	250
17.2	25	GT CP 173Y1	90
	35	GT CP 173Y2	90
	50	GT CP 173Y3	115
	70	GT CP 173Y4	115
	95	GT CP 173Y5	115
	120	GT CP 173Y6	150
	150	GT CP 173Y7	200
	185	GT CP 173Y8	200
	240	GT CP 173Y9	250

CABLE TO GROUND ROD

- Through cable to top of ground rod. Connections are for concentric strand copper cable unless otherwise noted. For copper clad, galvanized, stainless clad or stainless steel ground rods.
- **Bold letter** in mould part number is the price key.

REQUIRED TOOLS

	European Cat. No	Search Code
Handle Clamps for C Price Key Moulds	161000	L160
for D Price Key Moulds	161020	L159
Flint Ignitor	165000	T320

SUGGESTED TOOLS

Cable Cleaning Brush	165030	T313
Slag Removal Spade	See CADWELD Classic Table	
Mould Cleaning Brush	165260	120+3/4
File	165260	T329
Torch Head	140160	T111