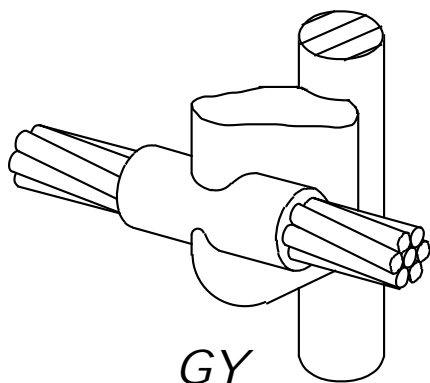


CABLE/TAPE TO GROUND ROD

GY



CABLE TO GROUND ROD

- Through cable to side of ground rod.
- Concentric strand copper cable unless otherwise noted.
- Ground rods can be copper clad, galvanized, stainless clad or stainless steel.
- **Bold letter** in mould part number is the price key.

REQUIRED TOOLS

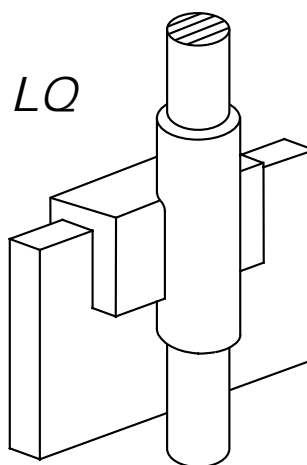
		European Cat. No	Search Code
Handle Clamps	for E Price Key Moulds	161000	L160
	for J Price Key Moulds	161020	L159
Flint Ignitor		165000	T320

SUGGESTED TOOLS

Cable Cleaning Brush		165030	T313
Slag Removal Spade	See CADWELD Classic Table		
Mould Cleaning Brush		165260	120+3/4
File		165260	T329
Cable Clamp		165020	B265
Torch Head		140160	T111

GY

GROUND ROD SIZE Dia. (mm)	CABLE SIZE (sq mm)	MOULD PART NO.	WELD METAL
12.7	25	GY EP 128Y1	90
	35	GY EP 128Y2	90
	50	GY EP 128Y3	115
	70	GY EP 128Y4	115
	95	GY EP 128Y5	115
	120	GY EP 128Y6	150
	150	GY EP 128Y7	200
	185	GY EP 128Y8	200
14.2	25	GY EP 143Y1	90
	35	GY EP 143Y2	90
	50	GY EP 143Y3	115
	70	GY EP 143Y4	115
	95	GY EP 143Y5	115
	120	GY EP 143Y6	150
	150	GY EP 143Y7	200
	185	GY EP 143Y8	250
	240	GY JP 143Y9	2 x 200
17.2	25	GY EP 173Y1	90
	35	GY EP 173Y2	90
	50	GY EP 173Y3	115
	70	GY EP 173Y4	150
	95	GY EP 173Y5	150
	120	GY EP 173Y6	200
	150	GY EP 173Y7	250
	185	GY JP 173Y8	2 x 200
	240	GY JP 173Y9	2 x 200



LQ

GROUND ROD SIZE Diam. (mm)	BUS BAR SIZE (mm)	MOULD PART NO.	WELD METAL
12.7	3 x 20	LQ EP -P128-CAH	90
12.7	3 x 25	LQ EP -P128-CAJ	90
14.2	3 x 20	LQ EP -P143-CAH	115
14.2	3 x 25	LQ EP -P143-CAJ	115
17.2	3 x 20	LQ EP -P173-CAH	150
17.2	3 x 25	LQ EP -P173-CAJ	150